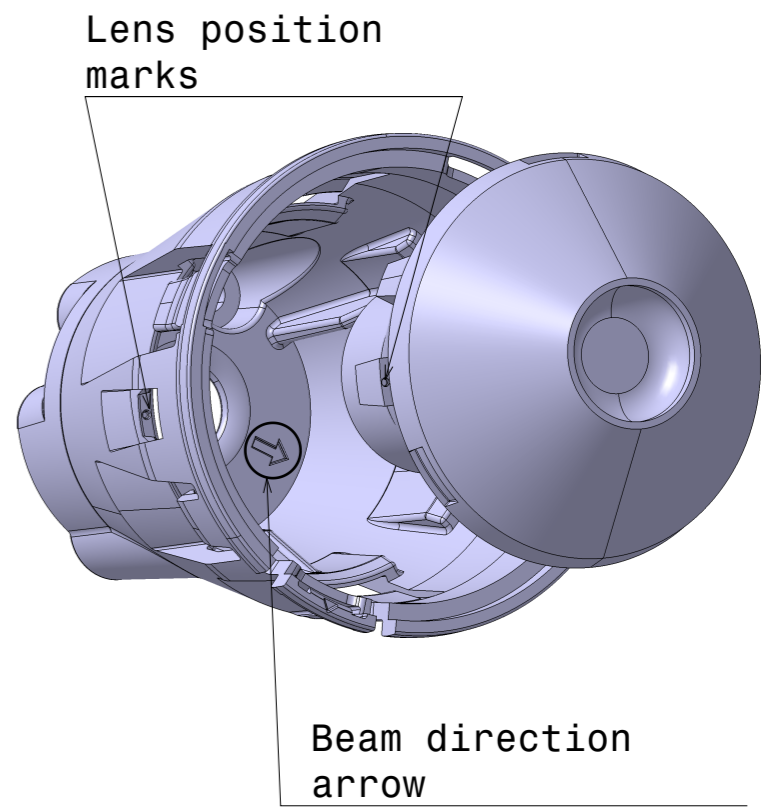
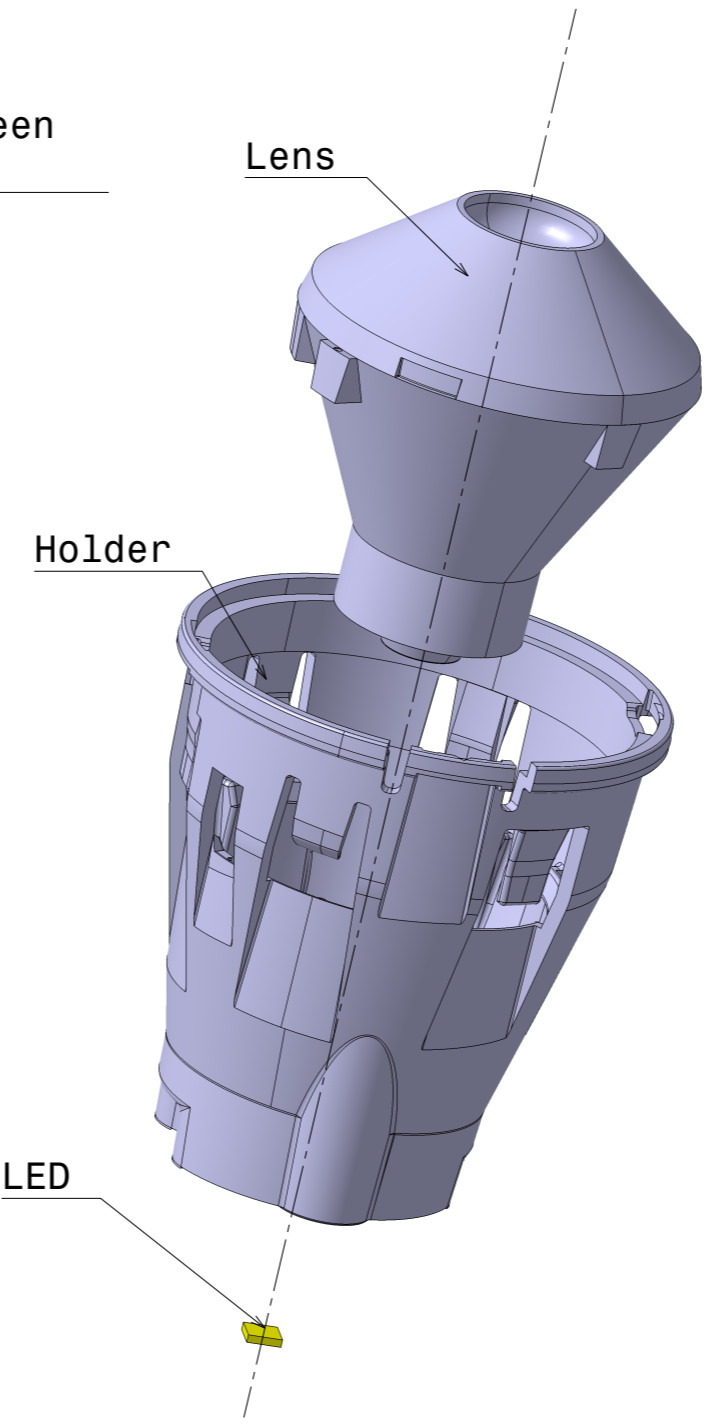
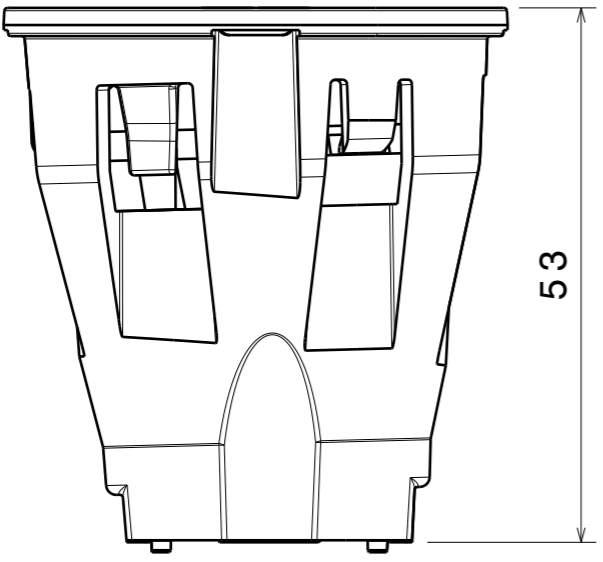


Please notice.
Center of the
outer diameter and
optical center is
shifted

1.34



PART NO	DESCRIPTION	MATERIAL	COLOUR
Lens	F16199_LEIA-S	PMMA	Clear
Holder	F16213_LEIA-HLD	PC	White

Tolerances if not otherwise shown
According to DIN ISO 2768-1
Linear measures:
Up to 30mm class M, otherwise class C.
According to DIN ISO 2768-2
Form and position: class L

LEDiL LediL Oy
Salorankatu 10
FIN 24240 SALO
Finland

This drawing is the property
of LEDiL Oy. It may not be
reproduced, copied or
communicated without a written
agreement with LEDiL Oy.

DRAWING TITLE		FN16214_LEIA-S	
SIZE	PART NUMBER		
A3	FN16214		
SCALE	4:3	WEIGHT	g
SHEET		1/1	